



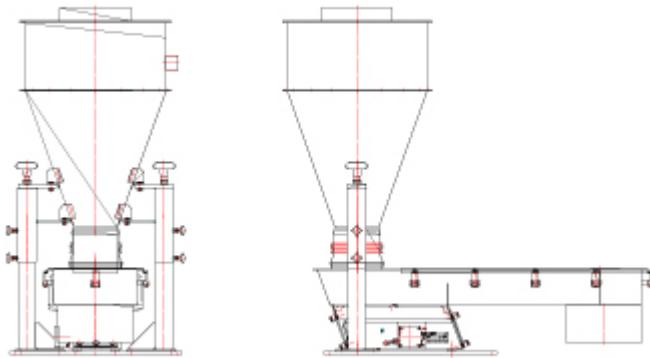
Dosing PUR-waste to a mill

Product group: Small conveyor

Industrial process: Discharging, feeding, conveying

Industry: Recycling, Environment, Glass

Type of drive: small conveyor drive



capacity (t/h): 1 | bulk: PUR-waste | density (t/m³): 0,6 | grain size (mm): 0-10

function:

Dosing of 1 t/h PUR-waste (grain size 0-10 mm, bulk density 0,6 kg/dm³) to a mill.

solution:

eKF12/1180/300-T dust tight closed trough made from stainless steel c/w storage hopper.

usability:

takes care of environment operation

explosion proof execution according to zone 21 of ATEX

place of installation: Germany